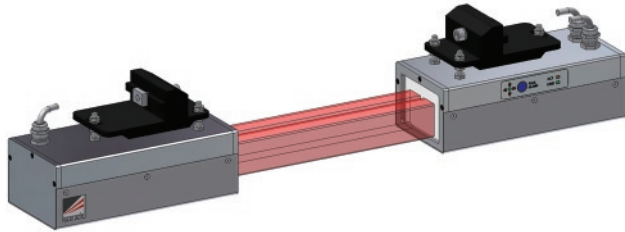
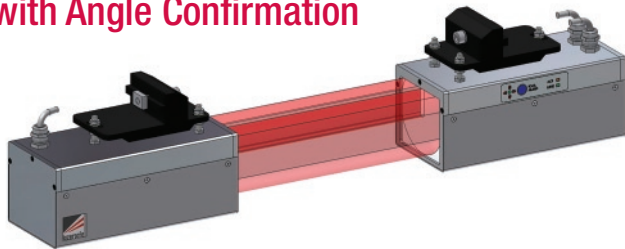


## Block Laser & Digital Camera System



- 2mm change of speed point
- Enables safe high speed closing >250mm/s
- Faster cycle times
- Ultimate operator security
- Tool damage protection
- Fully integrated with CNC system
- Automatic alignment

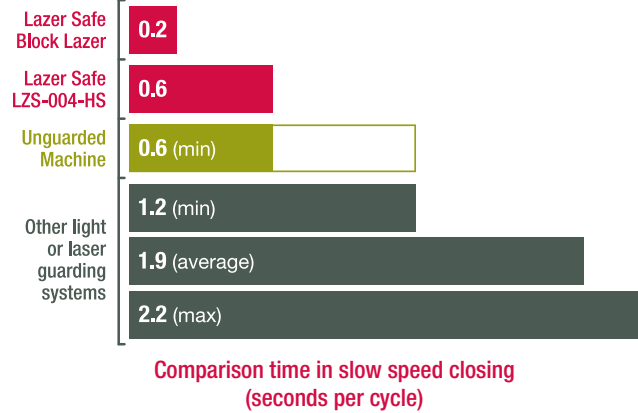
## Block Laser & Digital Camera System with Angle Confirmation



- 2mm change of speed point
- Enables safe high speed closing >250mm/s
- Faster cycle times
- Ultimate operator security
- Tool damage protection
- Fully integrated with CNC system
- Automatic alignment
- Instant calculation of bend angle
- Data transfer to CNC system
- Automatic set-up and calibration

## Compare the productivity benefits

Lazer Safe's block laser system provides safe high speed closing down to just 2mm. Compared with other guarding systems or even unguarded machines the block laser system can save up to 2 or more seconds per cycle. For every 1000 cycles the block laser system can save you over 30 minutes in operating time.



All levels of Lazer Safe guarding and productivity enhancement technologies are fully available to all press brake manufacturers. The world's leading manufacturers have embraced Lazer Safe's technology for the benefit of their customers. The Lazer Safe systems enhance all levels of press brake so there is no reason for you to miss out.

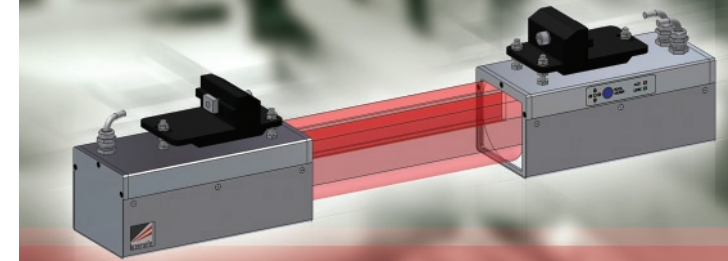
Ask your machinery supplier for Lazer Safe when ordering your new press brake.

For more information visit [www.lazersafe.com.au](http://www.lazersafe.com.au) or contact:



The Innovator in Functionality, Productivity and Safety for Press Brakes

## Press Brake Productivity Enhancement Systems



Increased Productivity // Streamlined Operation  
Ultimate Operator Security // Bend Angle Confirmation

# Press Brake Productivity Enhancement Systems

Lazer Safe's range of Productivity Enhancement Systems can significantly increase the productivity level of your press brake by reducing cycle times and ensuring product quality and consistency.

## Key Features

### Increased Productivity

- 2mm change of speed point
- Faster closing speed
- Faster cycle time

### User Friendly Operation

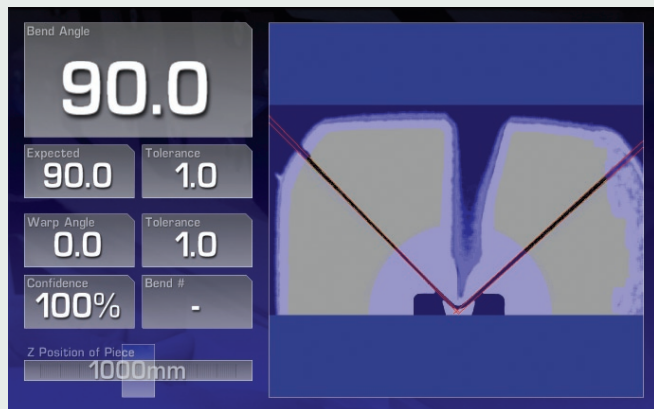
- Automatic adjustment
- CNC integration
- Fast and simple set-up

### Operator Security

- Broader safety zone
- Eliminate tool clash
- Tool damage protection

### Angle Confirmation (optional)

- Instant calculation
- Production quality and consistency
- Eliminate material wastage



### Advanced machine diagnostics

Advanced diagnostic functions monitor the press brake and alert the operator of the machine status and report any operational changes or faults to minimize down time.

### Angle Confirmation

High speed digital image processing technology measures the angle of the formed work piece on every cycle. Standard features include tolerance on bend angle, tolerance on 'warp' (bend inconsistency over length of the bend) and an out of tolerance alarm. When supported by the CNC system the data transfer can allow additional functions such as visual alert to the operator if a bend angle is out of tolerance and/or automatic correction to the bend program with re-bending.

### 2mm change of speed point

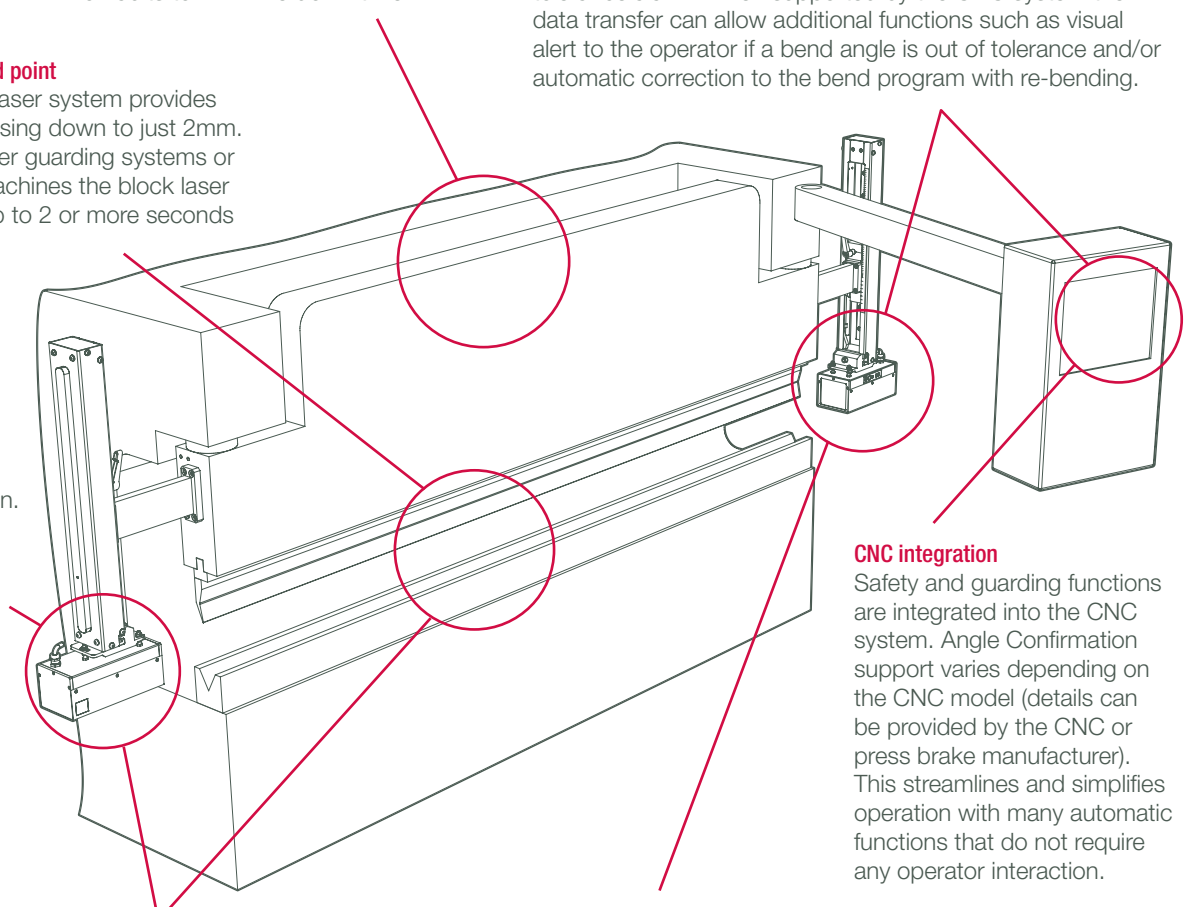
Lazer Safe's block laser system provides safe high speed closing down to just 2mm. Compared with other guarding systems or even unguarded machines the block laser system can save up to 2 or more seconds per cycle.

### High speed operation

The block laser system allows safer high speed operation. This enables the machine to operate with a faster closing speed to increase productivity.

### Advanced operator security

The block laser system provides a complete safety zone around the punch. This provides the ultimate security against operator injury and also protects the tools against damage that can result from incorrect set-up or objects left on the die.



### CNC integration

Safety and guarding functions are integrated into the CNC system. Angle Confirmation support varies depending on the CNC model (details can be provided by the CNC or press brake manufacturer). This streamlines and simplifies operation with many automatic functions that do not require any operator interaction.

### Automatic Set-up

The AUTO ALIGN button on the camera receiver automatically images the punch and adjusts the safety zone. This eliminates the need for precise manual adjustment and simplifies the set-up process.